

SAFETY NOTE

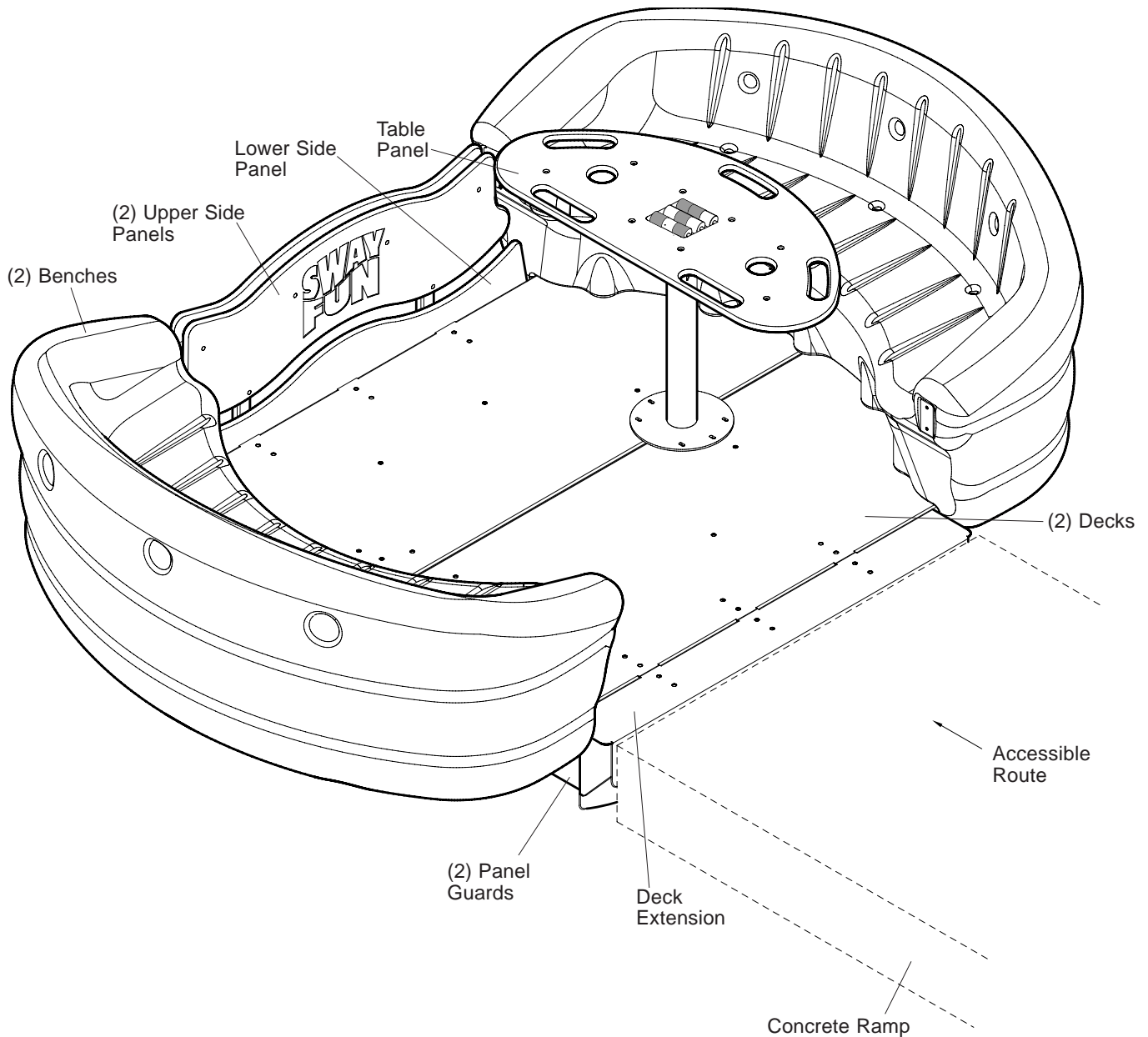
Choose a protective surfacing material that has a Critical Height Value of at least the height of the Highest Accessible Part/Fall Height of the adjacent equipment. (Ref. ASTM F1487, SECTION 9.)

LANDSCAPE STRUCTURES



14516000

SWAY FUN (SHOWN WITH RAMP)



PS/PB
Kids In Motion

138871 Sway Fun

Sheet 1 of 6 **98/280/33**

601 7TH STREET SOUTH, P.O. BOX 198 DELANO, MINNESOTA 55328-0198 (763) 972-3391 1-888-LSI-INST (1-888-574-4678) FAX (763) 972-3185

© 2003 by Landscape Structures Inc. All rights reserved.

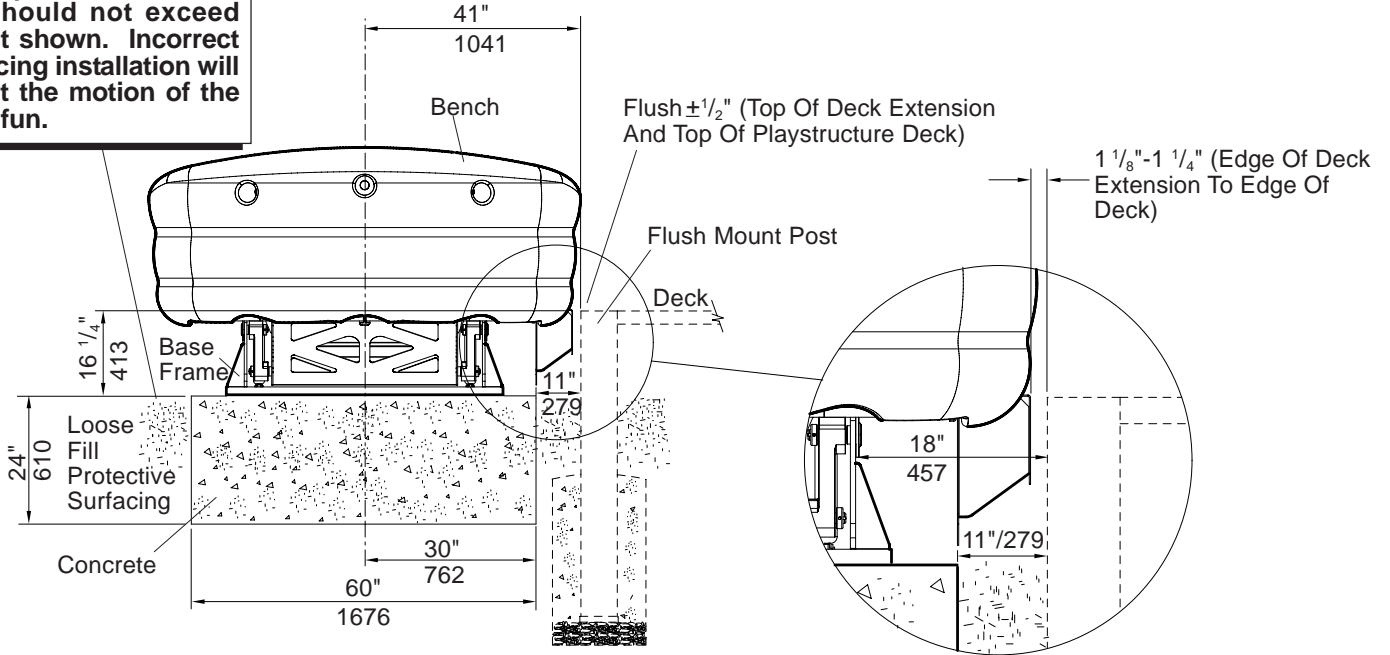
Document #14516000

LANDSCAPE STRUCTURES

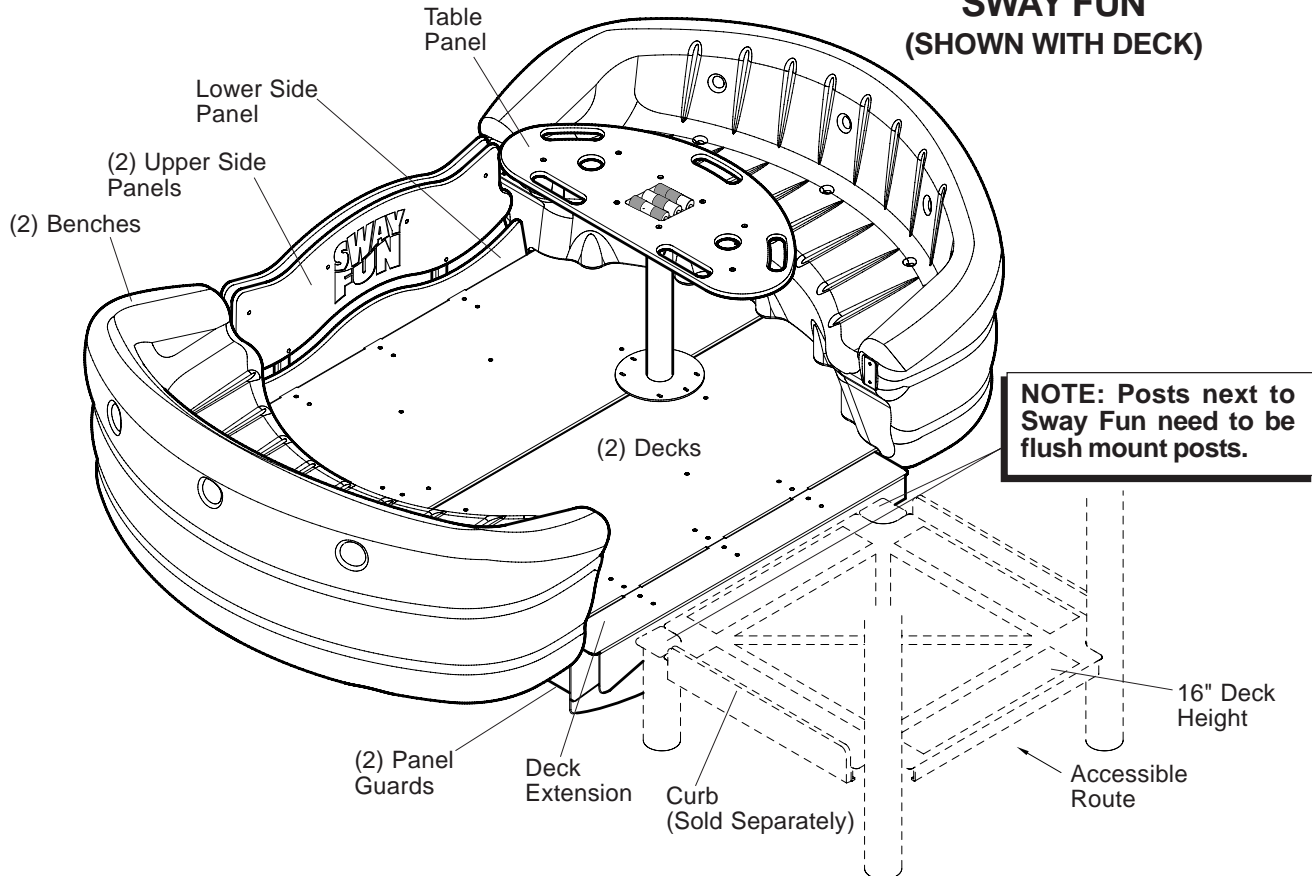


SAFETY NOTE
Choose a protective surfacing material that has a Critical Height Value of at least the height of the Highest Accessible Part/Fall Height of the adjacent equipment. (Ref. ASTM F1487, SECTION 9.)

NOTE: When installed inside playground environment, protective surfacing should not exceed height shown. Incorrect surfacing installation will inhibit the motion of the sway fun.



SWAY FUN (SHOWN WITH DECK)



PS/PB Kids In Motion 138871 Sway Fun, Access From Playstructure Deck

601 7TH STREET SOUTH, P.O. BOX 198 DELANO, MINNESOTA 55328 (763) 972-3391 1-888-LSI-INST (1-888-574-4678) FAX (763) 972-3185

SAFETY NOTE
 Choose a protective surfacing material that has a Critical Height Value of at least the height of the Highest Accessible Part/Fall Height of the adjacent equipment. (Ref. ASTM F1487, SECTION 9.)

LANDSCAPE STRUCTURES



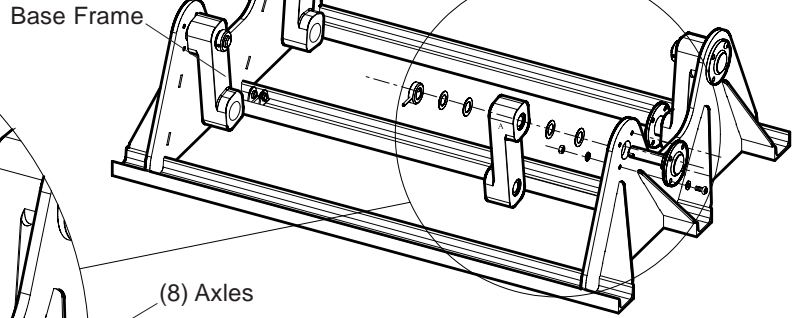
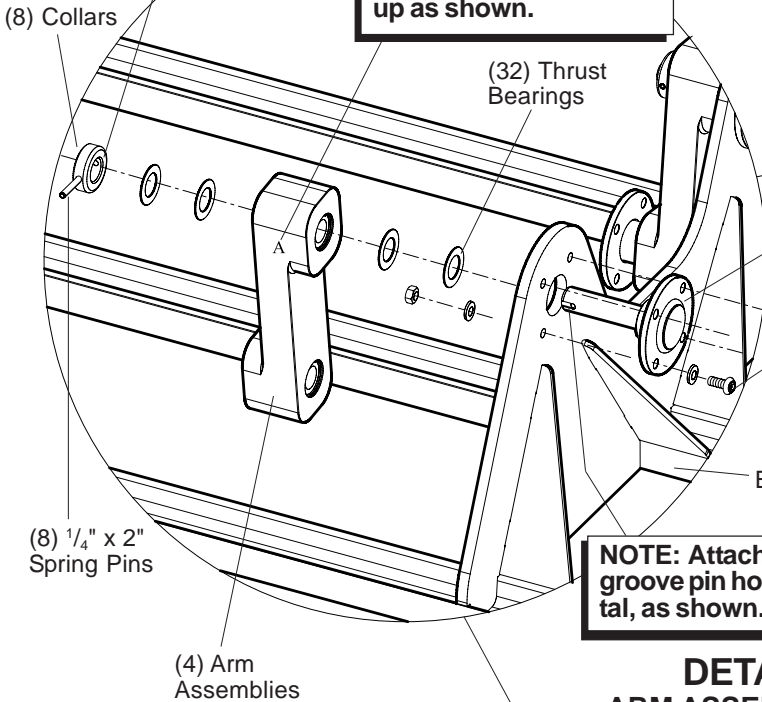
145160b0

DETAIL ARM ASSEMBLY TO BASE FRAME

DETAIL BASE FRAME

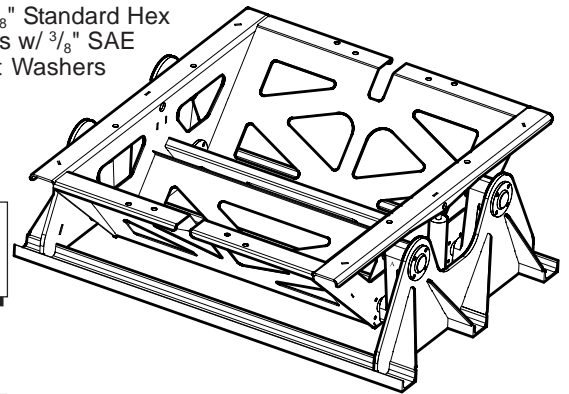
NOTE: Insert 1/4" x 2" spring pins 1/16" beyond first wall of collar.

NOTE: Position Arm Assembly with letter "A" up as shown.



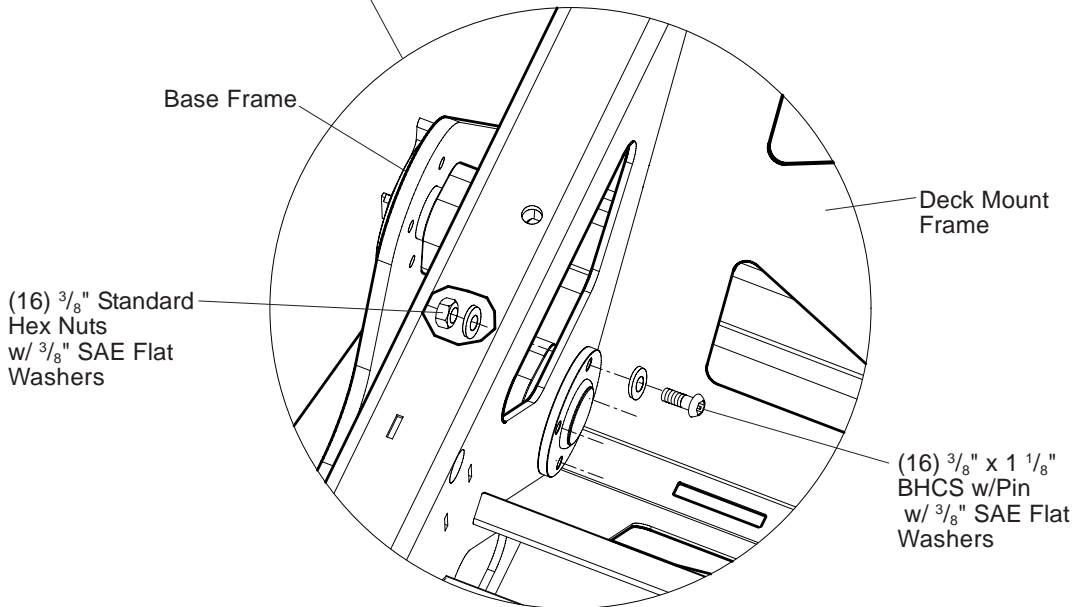
(16) 3/8" x 1 1/4" BHCS w/Pin Limited Thread Bolts w/ 3/8" SAE Flat Washers & 3/8" Standard Hex Nuts w/ 3/8" SAE Flat Washers

DETAIL ASSEMBLED FRAME



NOTE: Attach axle with groove pin hole horizontal, as shown.

DETAIL ARM ASSEMBLY TO DECK MOUNT FRAME



**PS/PB
Kids In Motion**

138871 Sway Fun

Sheet 2 of 6

601 7TH STREET SOUTH, P.O. BOX 198 DELANO, MINNESOTA 55328 (763) 972-3391 1-888-LSI-INST (1-888-574-4678) FAX (763) 972-3185

© 2003 by Landscape Structures Inc. All rights reserved.

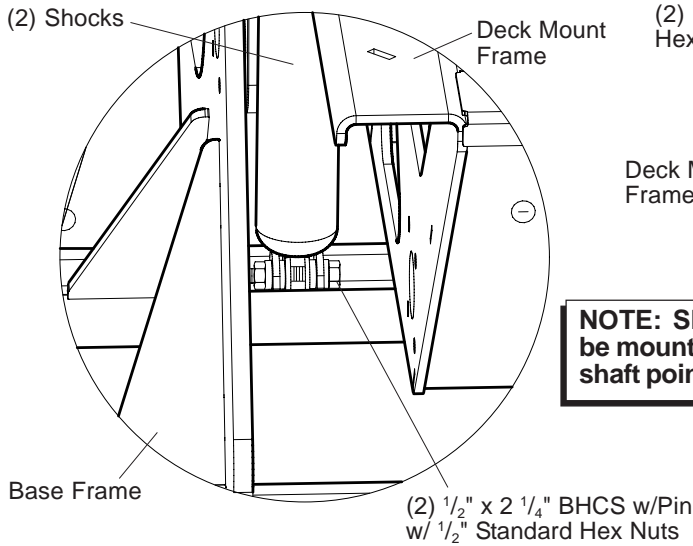
Document #14516000

LANDSCAPE STRUCTURES

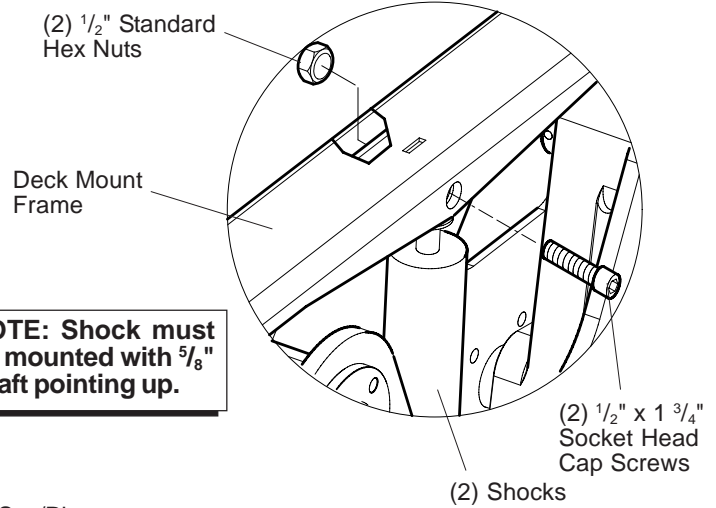


SAFETY NOTE
Choose a protective surfacing material that has a Critical Height Value of at least the height of the Highest Accessible Part/Fall Height of the adjacent equipment. (Ref. ASTM F1487, SECTION 9.)

DETAIL SHOCK TO FRAME ATTACHMENT (BOTTOM)

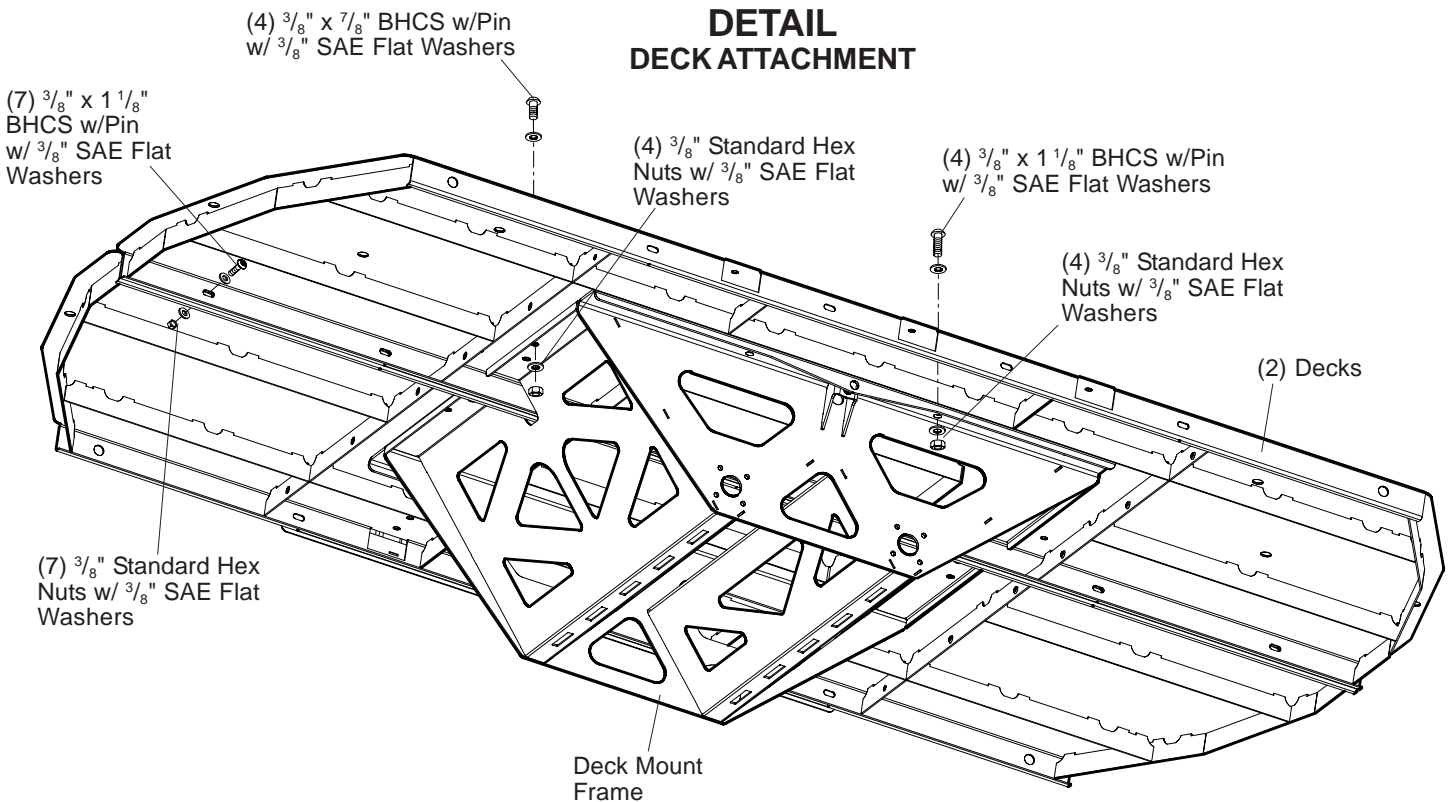


DETAIL SHOCK TO FRAME ATTACHMENT (TOP)



NOTE: Shock must be mounted with 5/8" shaft pointing up.

DETAIL DECK ATTACHMENT



NOTE: Shown without Base Frame for clarity.

**PS/PB
Kids In Motion**

138871 Sway Fun

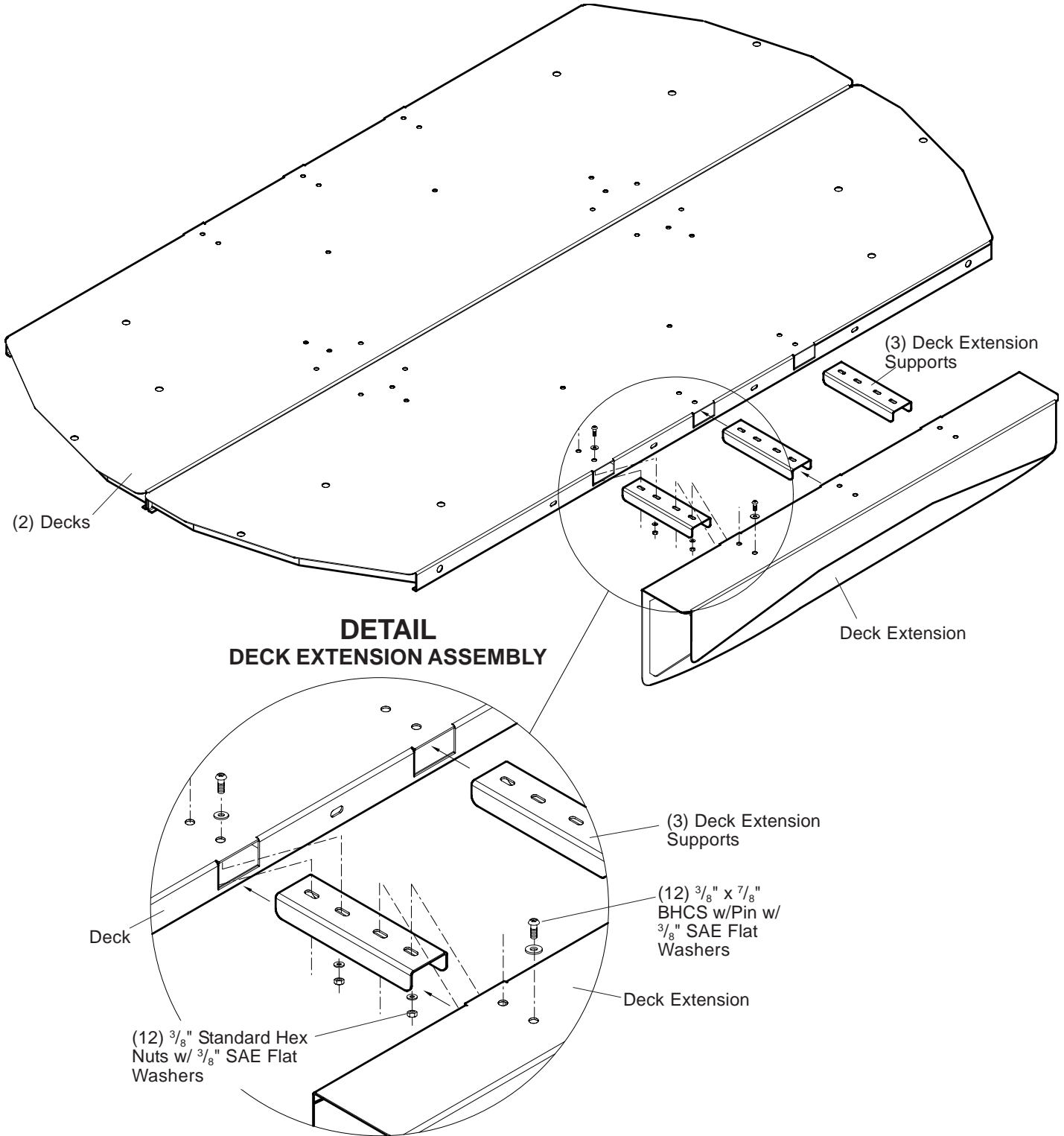
SAFETY NOTE

Choose a protective surfacing material that has a Critical Height Value of at least the height of the Highest Accessible Part/Fall Height of the adjacent equipment. (Ref. ASTM F1487, SECTION 9.)

LANDSCAPE STRUCTURES



144492d0



**PS/PB
Kids In Motion**

138871 Sway Fun

Sheet 3 of 6

601 7TH STREET SOUTH, P.O. BOX 198 DELANO, MINNESOTA 55328 (763) 972-3391 1-888-LSI-INST (1-888-574-4678) FAX (763) 972-3185

© 2003 by Landscape Structures Inc. All rights reserved.

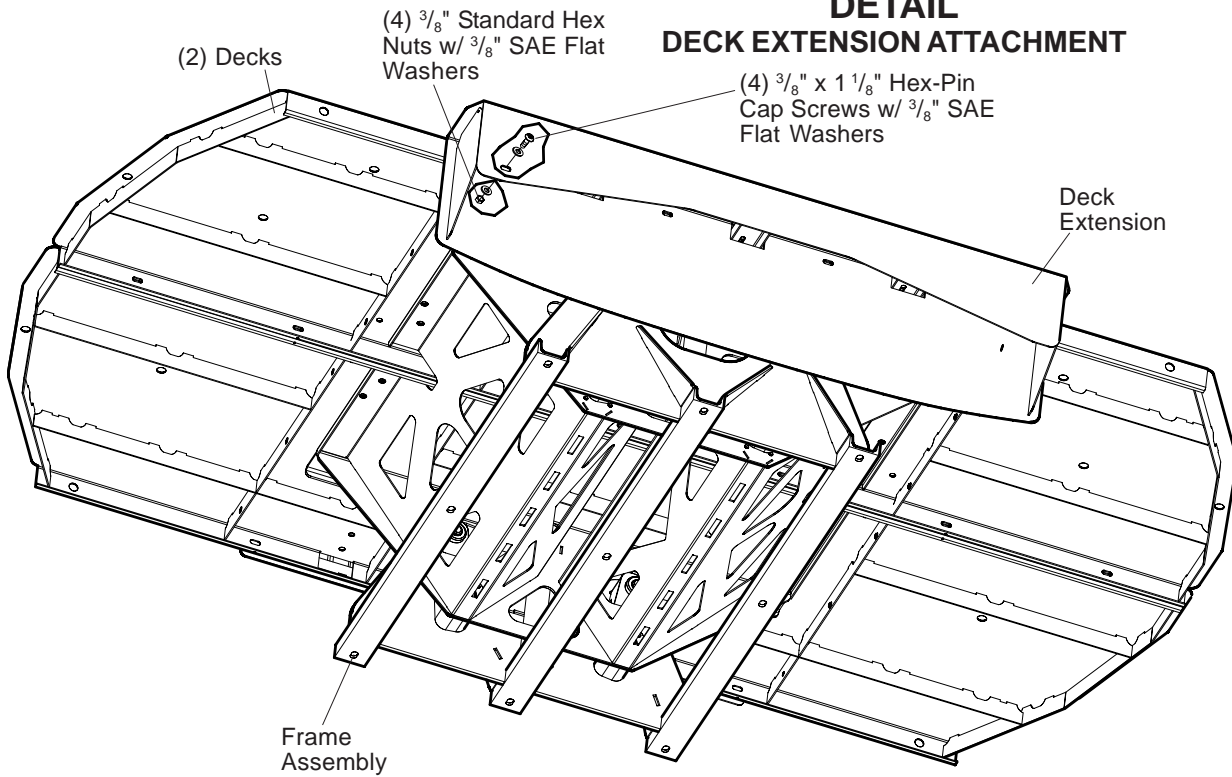
Document #14516000

SAFETY NOTE
Choose a protective surfacing material that has a Critical Height Value of at least the height of the Highest Accessible Part/Fall Height of the adjacent equipment. (Ref. ASTM F1487, SECTION 9.)

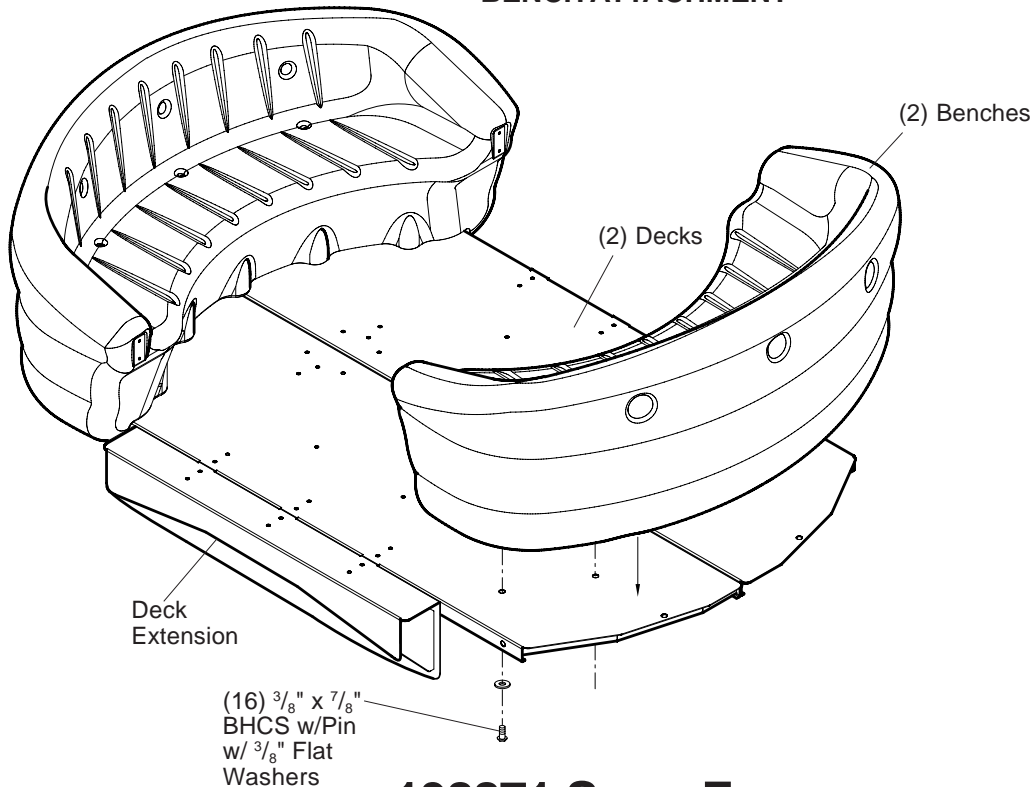
LANDSCAPE STRUCTURES



DETAIL DECK EXTENSION ATTACHMENT



DETAIL BENCH ATTACHMENT



**PS/PB
Kids In Motion**

138871 Sway Fun

601 7TH STREET SOUTH, P.O. BOX 198 DELANO, MINNESOTA 55328 (763) 972-3391 1-888-LSI-INST (1-888-574-4678) FAX (763) 972-3185

SAFETY NOTE

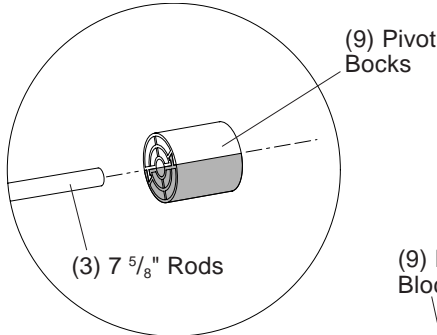
Choose a protective surfacing material that has a Critical Height Value of at least the height of the Highest Accessible Part/Fall Height of the adjacent equipment. (Ref. ASTM F1487, SECTION 9.)

LANDSCAPE STRUCTURES

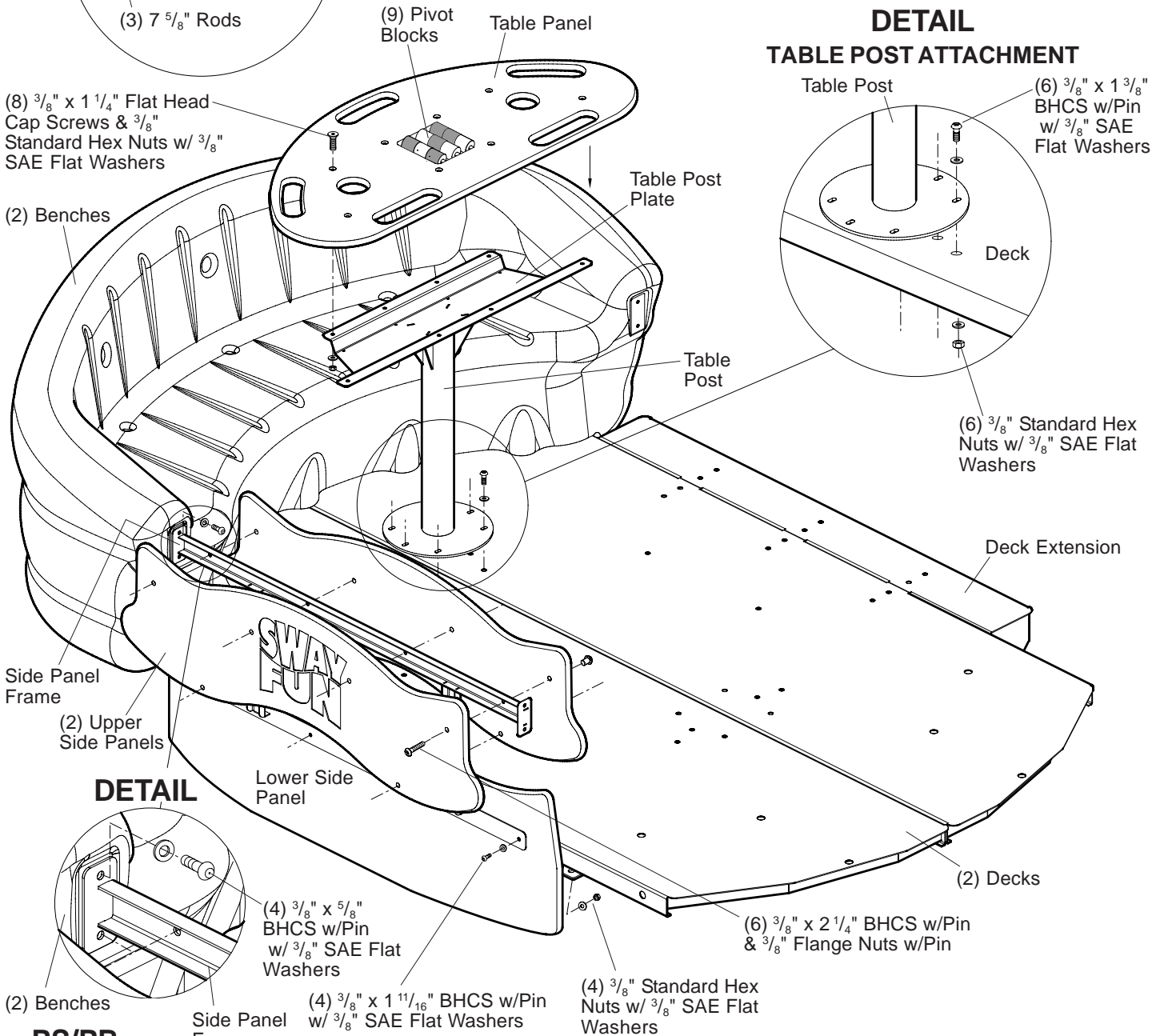


144492f0

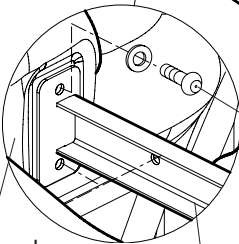
DETAIL PIVOT BLOCK ASSEMBLY



DETAIL TABLE /SIDE PANELS



DETAIL



PS/PB

Kids In Motion

138871 Sway Fun

Sheet 4 of 6

601 7TH STREET SOUTH, P.O. BOX 198 DELANO, MINNESOTA 55328 (763) 972-3391 1-888-LSI-INST (1-888-574-4678) FAX (763) 972-3185

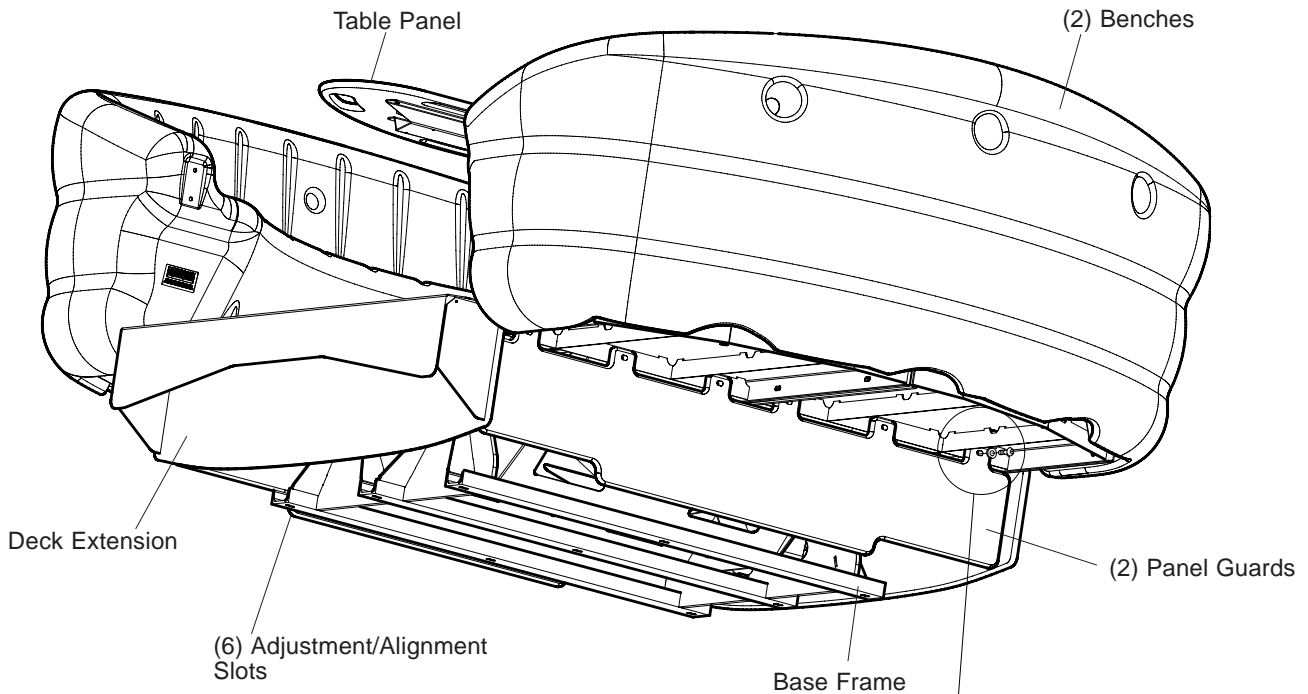
© 2003 by Landscape Structures Inc. All rights reserved.

Document #14516000

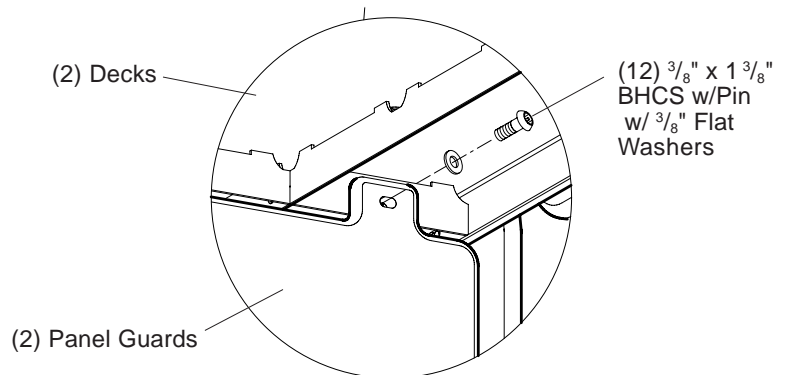
LANDSCAPE STRUCTURES



SAFETY NOTE
Choose a protective surfacing material that has a Critical Height Value of at least the height of the Highest Accessible Part/Fall Height of the adjacent equipment. (Ref. ASTM F1487, SECTION 9.)



DETAIL PANEL GUARD ATTACHMENT



**PS/PB
Kids In Motion**

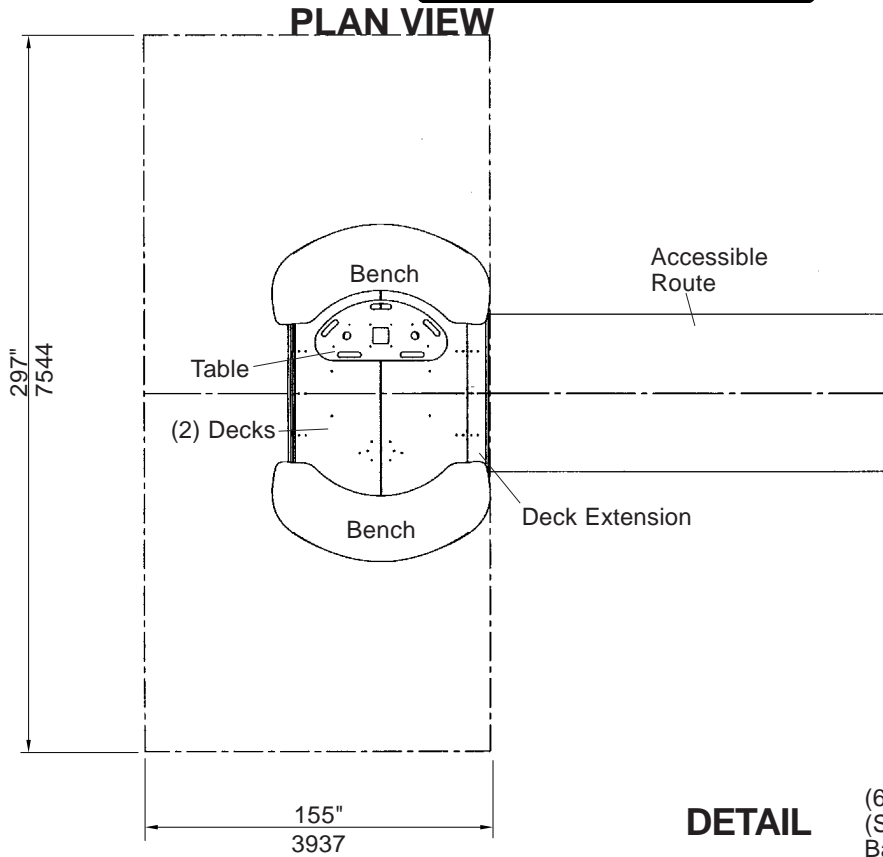
138871 Sway Fun

601 7TH STREET SOUTH, P.O. BOX 198 DELANO, MINNESOTA 55328 (763) 972-3391 1-888-LSI-INST (1-888-574-4678) FAX (763) 972-3185

SAFETY NOTE
 Choose a protective surfacing material that has a Critical Height Value of at least the height of the Highest Accessible Part/Fall Height of the adjacent equipment. (Ref. ASTM F1487, SECTION 9.)

LANDSCAPE STRUCTURES

144492h0
ISO
9001:2000
 Certified



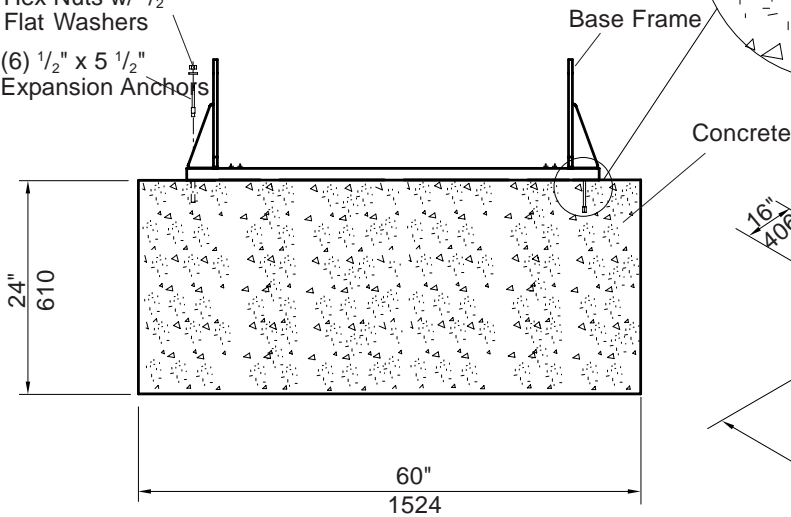
DETAIL

(6) $\frac{5}{8}$ " Flat Washers
 (Serves As Spacers Between
 Base And Concrete)

**DETAIL
 BASE FRAME ANCHORING**

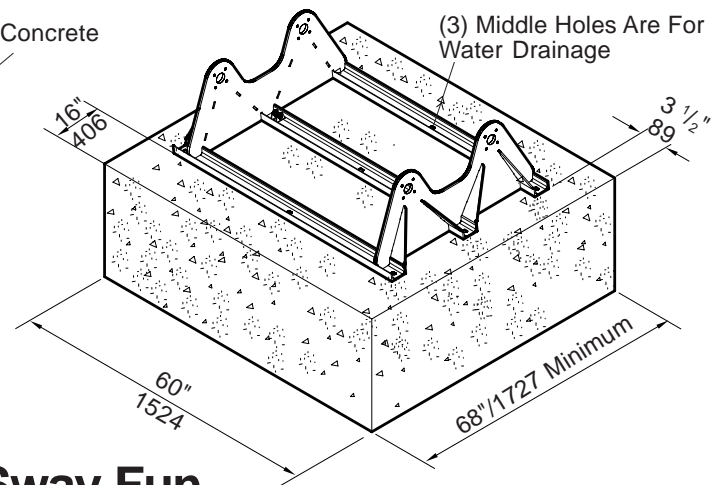
(6) $\frac{1}{2}$ " Standard
 Hex Nuts w/ $\frac{1}{2}$ "
 Flat Washers

(6) $\frac{1}{2}$ " x 5 $\frac{1}{2}$ "
 Expansion Anchors



NOTE: Failure to meet the 68" minimum concrete length will disable the travel limiting mechanism of the sway fun.

**DETAIL
 BASE FRAME ANCHORING
 (TOP VIEW)**



**PS/PB
 Kids In Motion**

138871 Sway Fun

Sheet 5 of 6

601 7TH STREET SOUTH, P.O. BOX 198 DELANO, MINNESOTA 55328 (763) 972-3391 1-888-LSI-INST (1-888-574-4678) FAX (763) 972-3185

© 2003 by Landscape Structures Inc. All rights reserved.

Document #14516000

LANDSCAPE STRUCTURES

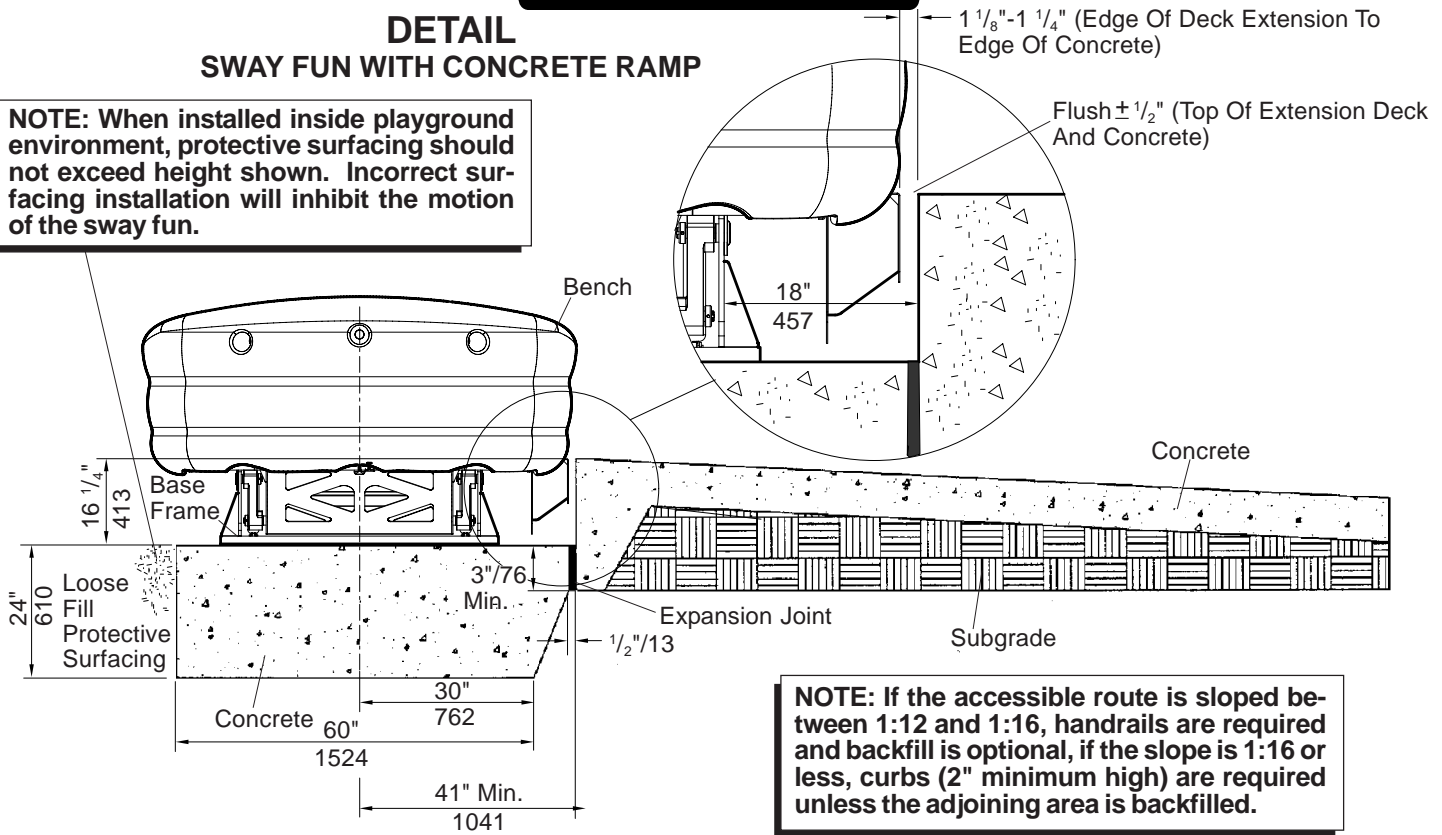
145160i0



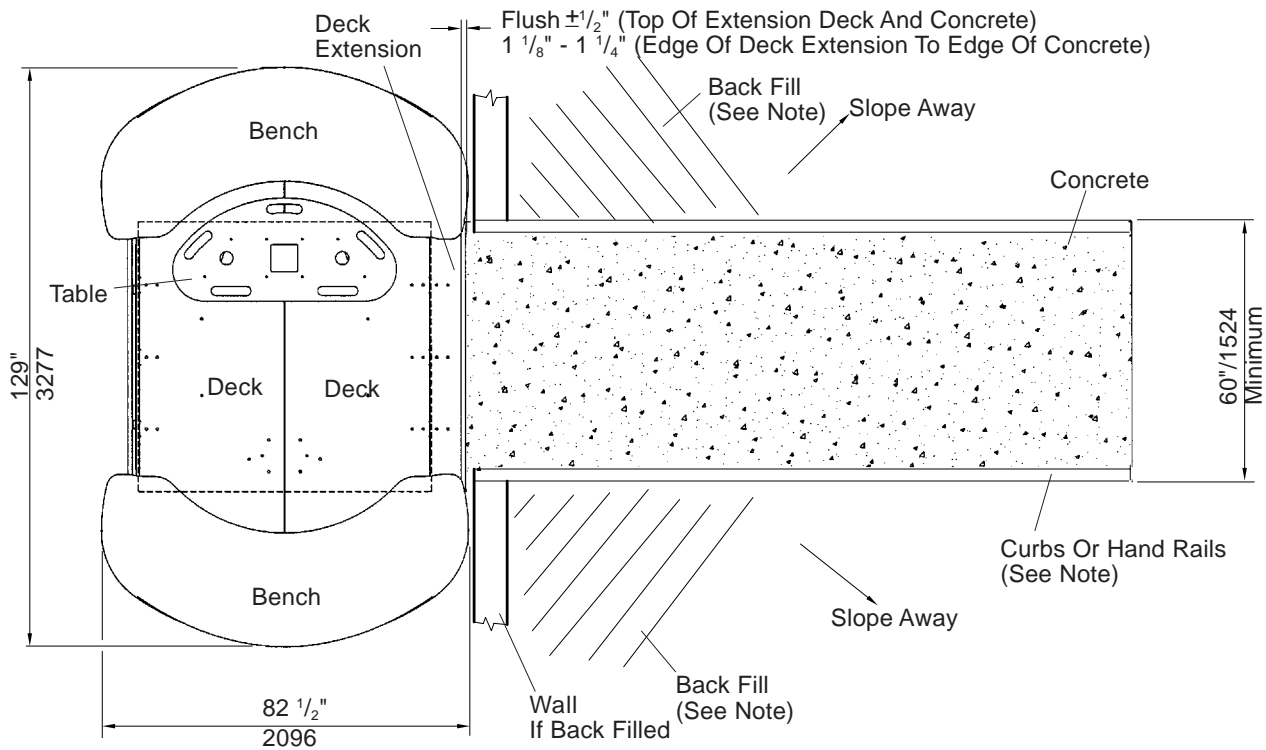
SAFETY NOTE
Choose a protective surfacing material that has a Critical Height Value of at least the height of the Highest Accessible Part/Fall Height of the adjacent equipment. (Ref. ASTM F1487, SECTION 9.)

DETAIL SWAY FUN WITH CONCRETE RAMP

NOTE: When installed inside playground environment, protective surfacing should not exceed height shown. Incorrect surfacing installation will inhibit the motion of the sway fun.



NOTE: If the accessible route is sloped between 1:12 and 1:16, handrails are required and backfill is optional, if the slope is 1:16 or less, curbs (2" minimum high) are required unless the adjoining area is backfilled.



PS/PB
Kids In Motion

138871 Sway Fun

601 7TH STREET SOUTH, P.O. BOX 198 DELANO, MINNESOTA 55328 (763) 972-3391 1-888-LSI-INST (1-888-574-4678) FAX (763) 972-3185

© 2003 by Landscape Structures Inc. All rights reserved.

Parts List

Part#	Description	Qty.
134775-00	Bench, Specify Color	2
136761-00	Table Panel, Specify Color	1
136817-00	Table Post, Specify Color	1
136857-00	Upper Side Panel, Specify Color	2
136858-00	Lower Side Panel, Specify Color	1
136833-00	Side Panel Frame, Specify Color	1
137932-00	Deck, Brown	2
137931-00	Deck Extension, Brown	1
137930-00	Deck Extension Support, Brown	3
138947-00	Panel Guard, Specify Color	2
138409-00	Arm Assembly	4
143076-00	Axle	8
144022-00	Base Frame	1
144448-00	Deck Mount Frame	1
144025-00	Shock	2
145878-00	Sway Fun Hardware Package	1
145157-00	1/2" x 1 3/4" Socket Head Cap Screw, SST	2
100195-00	3/8" x 5/8" BHCS w/Pin, SST	4
100196-00	3/8" x 7/8" BHCS w/Pin, SST	32
100198-00	3/8" x 1 1/8" BHCS w/Pin, SST	31
100199-00	3/8" x 2 1/4" BHCS w/Pin, SST	6
100252-00	3/8" x 1 1/4" Flat Head Cap Screw, SST	8
100271-00	1/2" x 5 1/2" Exp. Anchor(w/Nut & Washer),SST	6
100292-00	3/8" x 1 1/4" BHCS w/Pin Ltd. Thread Bolt, SST ...	16
100327-00	3/8" Standard Hex Nut, SST	81
100353-00	3/8" Flange Nut w/Pin, SST	6
100362-00	3/8" Flat Washer, SST	28
100365-00	3/8" SAE Flat Washer, SST	158
100366-00	5/8" Flat Washer, SST	6
113027-00	3/8" x 1 3/8" BHCS w/Pin, SST	18
121135-00	1/4" x 2" Spring Pin, SST	8
123224-00	3/8" x 1 1/16" BHCS w/Pin, SST	4
128391-00	Pivot Block, Tan/Brown	9
129692-00	1/2" Standard Hex Nut, SST	4
131862-00	1/2" x 2 1/4" BHCS w/Pin, SST	2
137777-00	Thrust Bearings	32
137779-00	Collar, SST	8
138844-00	7 5/8" Rod, Steel	3

Specifications

- Bench:** Rotationally molded from U.V. stabilized linear low density polyethylene, color specified.
- Table Panel:** Solid color Permalene table measures 50 3/8" wide x 22 15/16" deep, color specified.
- Table Post:** Weldment comprised of 3.500" O.D. RS-20 (.125") galvanized steel tubing, 11 GA. (.120) HRPO ASTM A569 sheet steel and 1/4 HRS flat steel. Finish: Powdercoat, color specified.

Upper Side Panels: Two color Permalene, color specified.

Lower Side Panel: Solid color Permalene, color specified.

- Side Panel Frame:** Weldment comprised of 11 GA (.120") sheet steel conforming to ASTM A569. Finish: Powdercoat, specify color.
- Deck:** Flange formed from 11 GA (.120") sheet steel conforming to ASTM A569. Standing surface is perforated with 3/16" diameter holes. Finish: TenderTuff, brown in color.
- Deck Extension:** Flange formed from 11 GA (.120") sheet steel conforming to ASTM A569. Finish: TenderTuff, brown in color.
- Deck Extension Support:** Formed from 11 GA (.120") sheet steel conforming to ASTM A569. Finish: Powdercoat, brown in color.
- Panel Guard:** Solid color Permalene, color specified.
- Arm Assembly:** Machined from 6061-T6 aluminum.
- Axle:** Weldment comprised of 304 stainless steel.
- Base Frame:** Weldment comprised of 3" x 5" structural steel C channel, 1/4" HRS flat steel and 1/2" HRS flat steel. Finish: Hot dip galvanized per ASTM A123 category 100.
- Upper Shock Mount Bracket:** Weldment comprised of 7 Ga. (.180") sheet steel conforming to ASTM A569. Finish: Hot dip galvanized per ASTM A123 category 100.
- Deck Mount Frame:** Weldment comprised of 11 GA (.120") sheet steel, 7 Ga. (.180") HRPO flat steel and 1/4" (.250") HRPO flat steel. Finish: Hot dip galvanized per ASTM A123 category 100.
- Fasteners:** Primary fasteners shall be socketed and pinned tamperproof in design, stainless steel (SST) per ASTM F 879 unless otherwise indicated (see specific product installation/specifications).
- Installation Time:** Approx. 12 man hours
- Concrete Req.:** Approx. 55 cu. ft.
- Actual Size:** 82 1/2" x 129" (2096 mm x 3277 mm)
- Area Req.:** 155" x 297" (3937 mm x 7544 mm)
- Weight:** 1266 lbs.
- Fall Height:** 16" (0,41 m) Deck Height

Installation Instructions

***If Sway Fun is linked to structure, start structure at the controlled point before pouring concrete for Sway Fun.**

- 1) Build and pour concrete footing. Refer to Base Frame Anchoring Details. Allow concrete footing to cure for a minimum of 72 hours before continuing. **NOTE:** *Failure to meet the 68" minimum concrete length will disable the travel limiting mechanism of the sway fun.*
- 2) With base frame in position, drill through 6 outside holes in base frame 5" deep into concrete slab using $\frac{1}{2}$ " masonry bit and hammer drill. Refer to the Base Frame Anchoring Detail. **NOTE:** *Position $\frac{5}{8}$ " flat washers between base frame outside holes and concrete.* Refer to the Base Frame Anchoring Details.
- 3) Tap expansion anchors into drilled holes and secure using $\frac{1}{2}$ " standard hex nuts with $\frac{1}{2}$ " flat washers. Refer to the Base Frame Anchoring Details.
- 4) Attach axles to base frame using $\frac{3}{8}$ " x $1\frac{1}{4}$ " BHCS w/pin limited thread bolts with $\frac{3}{8}$ " SAE flat washers and $\frac{3}{8}$ " standard hex nuts with $\frac{3}{8}$ " SAE flat washers. **NOTE:** Attach axles with groove pin hole horizontal. Refer to the Arm Assembly To Base Frame Detail.
- 5) Attach arm assemblies with letter "A" up as shown to base frame axles using thrust bearings, collars and $\frac{1}{4}$ " x 2" springs pins. Place collar with pin on axle using the groove pinhole as a guide, insert spring pin in until flush with collar. **NOTE:** Insert $\frac{1}{4}$ " x 2" spring pins $\frac{1}{16}$ " beyond first wall of collar. Refer to the Arm Assembly To Base Frame Detail.
- 6) Position deck mount frame above base frame and attach arms. Attach axles to deck mount frame using thrust bearings, collars, $\frac{3}{8}$ " x $1\frac{1}{8}$ " BHCS w/pin with $\frac{3}{8}$ " SAE flat washers and $\frac{3}{8}$ " standard hex nuts with $\frac{3}{8}$ " SAE flat washers. **NOTE:** Attach axles with groove pin hole horizontal, as shown. Refer to the Arm Assembly To Deck Mount Frame Detail.
- 7) Secure axles using thrust bearings, collars and $\frac{1}{4}$ " x 2" springs pins. Place collar with pin on axle using the groove pinhole as a guide, insert spring pin in until flush with collar. Insert $\frac{1}{4}$ " x 2" springs pins $\frac{1}{8}$ " beyond first wall of collar. Refer to the Arm Assembly To Base Frame Detail.
- 8) Attach bottom of shocks to base frame using $\frac{1}{2}$ " x $2\frac{1}{4}$ " BHCS w/pin and $\frac{1}{2}$ " standard hex nuts. Attach top of shocks to base frame using $\frac{1}{2}$ " x $1\frac{3}{4}$ " socket head cap screws and $\frac{1}{2}$ " standard hex nuts. Refer to the Shock To Frame Attachment Details. **NOTE:** *Shock must be mounted with $\frac{5}{8}$ " shaft pointing up.*
- 9) Attach deck extension to deck using deck extension supports, $\frac{3}{8}$ " x $\frac{7}{8}$ " BHCS w/pin with $\frac{3}{8}$ " SAE flat washers and $\frac{3}{8}$ " standard hex nuts with $\frac{3}{8}$ " SAE flat washers. Refer to the Deck Extension Assembly Detail.
- 10) Fasten deck extension to deck face using $\frac{3}{8}$ " x $1\frac{1}{8}$ " BHCS w/pin with $\frac{3}{8}$ " SAE flat washers and $\frac{3}{8}$ " standard hex nuts with $\frac{3}{8}$ " SAE flat washers. Refer to the Deck Extension Attachment Detail.
- 11) Loosely attach decks to deck mount frame using $\frac{3}{8}$ " x $\frac{7}{8}$ " BHCS w/pin with $\frac{3}{8}$ " SAE flat washers and $\frac{3}{8}$ " standard hex nuts with $\frac{3}{8}$ " SAE flat washers on deck mount frame ends and $\frac{3}{8}$ " x $1\frac{1}{8}$ " BHCS w/pin with $\frac{3}{8}$ " SAE flat washers and $\frac{3}{8}$ " standard hex nuts with $\frac{3}{8}$ " SAE flat washers on deck mount frame sides. Refer to the Deck Attachment Detail.
- 12) Attach decks to each other using $\frac{3}{8}$ " x $1\frac{1}{8}$ " BHCS w/pin with $\frac{3}{8}$ " SAE flat washers and $\frac{3}{8}$ " standard hex nuts with $\frac{3}{8}$ " SAE flat washers. Refer to the Deck Attachment Detail.
- 13) Tighten bolts from decks to deck mount frame.
- 14) Attach benches to decks using $\frac{3}{8}$ " x $\frac{7}{8}$ " BHCS w/pin with $\frac{3}{8}$ " flat washers. Refer to the Bench Attachment Detail.
- 15) Attach table post to decks using $\frac{3}{8}$ " x $1\frac{3}{8}$ " BHCS w/pin with $\frac{3}{8}$ " SAE flat washers and $\frac{3}{8}$ " standard hex nuts with $\frac{3}{8}$ " SAE flat washers. Refer to the Table Post Attachment Detail.
- 16) Position 7 $\frac{5}{8}$ " rods with pivot blocks between table post plate and table panel.
- 17) Attach table panel to table post plate using $\frac{3}{8}$ " x $1\frac{1}{4}$ " flat head cap screws and $\frac{3}{8}$ " standard hex nuts with $\frac{3}{8}$ " SAE flat washers. Refer to the Pivot Block Assembly Detail.
- 18) Attach side panel frame to benches using $\frac{3}{8}$ " x $\frac{5}{8}$ " BHCS w/pin with $\frac{3}{8}$ " SAE flat washers. Refer to the Table/Side Panels Detail.
- 19) Attach side panel frame and lower side panel to the deck using $\frac{3}{8}$ " x $1\frac{11}{16}$ " BHCS w/pin with $\frac{3}{8}$ " SAE flat washers and $\frac{3}{8}$ " standard hex nuts with $\frac{3}{8}$ " SAE flat washers. Refer to the Table/Side Panels Detail.
- 20) Attach upper side panels to side panel frame using $\frac{3}{8}$ " x $2\frac{1}{4}$ " BHCS w/pin and $\frac{3}{8}$ " flange nuts w/pin. Refer to the Table/Side Panels Detail.
- 21) Attach panel guards to decks using $\frac{3}{8}$ " x $1\frac{3}{8}$ " BHCS w/pin with $\frac{3}{8}$ " flat washers. Refer to the Panel Guard Attachment Detail.
- 22) If installed in playground environment, install protective surfacing before users are allowed to use Sway Fun. **NOTE:** *When installed inside playground environment, protective surfacing should not exceed height shown. Incorrect surfacing installation will inhibit the motion of the sway fun.*